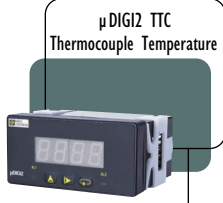
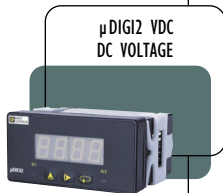


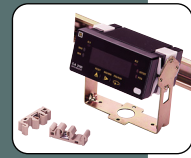
μDIGI2 range Digital Panel Meters

μDIGI2 RANGE

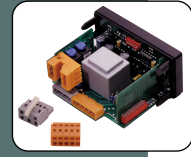
Programmable 2000 point panel meters in 48 x 96 mm format for industrial applications



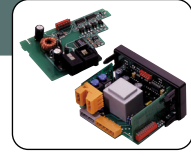
Easy programming using three front panel keys



Accessories for surface and DIN rail mounting



Quick connection using plug-in connectors



Easy installation of card options

PRODUCT ADVANTAGES

- ECONOMICAL single function range
- INSTANT FITTING without tools

■ Mounting accessories

	Reference
Multi-position fitting with DIN rail adapter	P01 3194 01
Back fitting with 2 DIN rail adapters	P01 3194 02

■ Optional card

	Reference
2 relay alarm card	P01 3193 01

μDIGI2 VAC

AC Voltage

- **Direct** (40 Hz to 1 kHz) :
20 V (90 kΩ)
200 V (1 MΩ)
600 V (3 MΩ)

μDIGI2 VDC

DC Voltage

- **Direct** :
20 V (90 kΩ)
200 V (1 MΩ)
600 V (3 MΩ)

μDIGI2 TPT

Temperature
Pt 100

- -100...+200 °C
(40 Ω/wires)
-200...+800 °C
(40 Ω/wires)

μDIGI2 PRC

Process Signal
U/I

- 0...±10 V (1 MΩ)
- 0...±20 mA (12.1 Ω)

T O O R D E R

Supply	Reference
115/230 Vac	5330 011F
24/48 Vac	5330 012F
12 Vdc	5330 013F
24 Vdc	5330 014F
48 Vdc	5330 015F

Supply	Reference
115/230 Vac	5330 021F
24/48 Vac	5330 022F
12 Vdc	5330 023F
24 Vdc	5330 024F
48 Vdc	5330 025F

Supply	Reference
115/230 Vac	5330 061F
24/48 Vac	5330 062F
12 Vdc	5330 063F
24 Vdc	5330 064F
48 Vdc	5330 065F

Supply	Reference
115/230 Vac	5330 051F
24/48 Vac	5330 052F
12 Vdc	5330 053F
24 Vdc	5330 054F
48 Vdc	5330 055F

μDIGI2 AAC

AC Current

- **Direct or on CT**
(40 Hz to 1 kHz) :
5 A (0,012 Ω)
1 A (0,06 Ω)
- **On shunt**
(40 Hz to 1 kHz) :
100 mV (45 kΩ)
60 mV (100 mΩ)

μDIGI2 ADC

DC Current

- **Direct** :
5 A (0,012 Ω)
1 A (0,06 Ω)
- **On shunt** :
100 mV (45 kΩ)
60 mV (100 mΩ)

μDIGI2 TTC

Temperature
Thermocouple

- J : -50...+100 °C
-50...+800 °C
- K : -50...+200 °C
-50...+1250 °C
- T : -200...+400 °C

μDIGI2 TAC

Tachometer

- **Frequency**: 0 to 999,9 Hz
- **Speed**: 0 to 9999 pts
- **Magnetic sensor**:
Vin > 120 mVeff
- **NAMUR sensor**
- **Encoder TTL/24 V** or
NPN/PNP
- **Dry contact**
- **Voltage**: 0 to 10 Vac

T O O R D E R

Supply	Reference
115/230 Vac	5330 031F
24/48 Vac	5330 032F
12 Vdc	5330 033F
24 Vdc	5330 034F
48 Vdc	5330 035F

Supply	Reference
115/230 Vac	5330 041F
24/48 Vac	5330 042F
12 Vdc	5330 043F
24 Vdc	5330 044F
48 Vdc	5330 045F

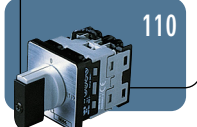
Supply	Reference
115/230 Vac	5330 071F
24/48 Vac	5330 072F
12 Vdc	5330 073F
24 Vdc	5330 074F
48 Vdc	5330 075F

Supply	Reference
115/230 Vac	5330 081F
24/48 Vac	5330 082F
12 Vdc	5330 083F
24 Vdc	5330 084F
48 Vdc	5330 085F

Associated products

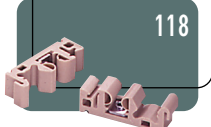
Voltmeter and ammeter
switches

110



Accessories
and option cards

118



CT Current transformers
and shunts

184



Thermocouple / probe

Catalogue



SELECTION GUIDE	114
INFO & ADVICE	116
◀◀ RANGE INFO	118
▶▶ RANGE CONTD.	120

μDIGI2 RANGE

Programmable panel meters 2000 points 48 x 96 format for industrial applications

■ Display

Measurement points		2000 pts
Display range	AAC, VAC, ADC, VDC, PRC	-1999...9999
	TPT, TTC	-1999...3999
	TAC frequency	0...999.9
	TAC vitesse	0...9999
Display indicators		Red LED 7 segments
		Height 14.22 mm
Reading		4 digits
Polarity		Automatic
Overrun		OVE displayed
Decimal position		Programmable by software
	AAC, VAC, ADC, VDC, PRC	4 measurements / second
Measurement rate	TPT, TTC	2 measurements / second
	TAC	0.1 Hz to 7 kHz

■ Accuracy

AAC, VAC, ADC, VDC, PRC	±0.1% ±3 pts
TPT network 0.1 °C	±0.1% +0.3 °C
TPT network 1 °C	±0.1% +1 °C
TTC tc J, K, T : 0.1 °C	±0.1% +0.6 °C
TTC tc J, K, T : 1 °C	±0.4% +1 °C
TAC	0.1% ±3 pts

■ Mechanics

Material	polycarbonate V0 as per UL94
Weight	250 g
Protection rating	IP 65 on front panel
Fitting	On panel using auto-block strap

■ Environment

Operating temperature	- 10 to + 60 °C
Storage temperature	- 25 to + 85 °C
Relative humidity	< 95% at + 40 °C
Maximum altitude	2000 m

■ Power supply

Alternating voltage	115 / 230 Vac ±15% 50 / 60 Hz
	24 / 48 Vac ±15% 50 / 60 Hz
Consumption	3 VA
	12 Vdc (10-16 Vdc)
Direct voltage	24 Vdc (21-32 Vdc)
	48 Vdc (42-64 Vdc)
Consumption	3 W

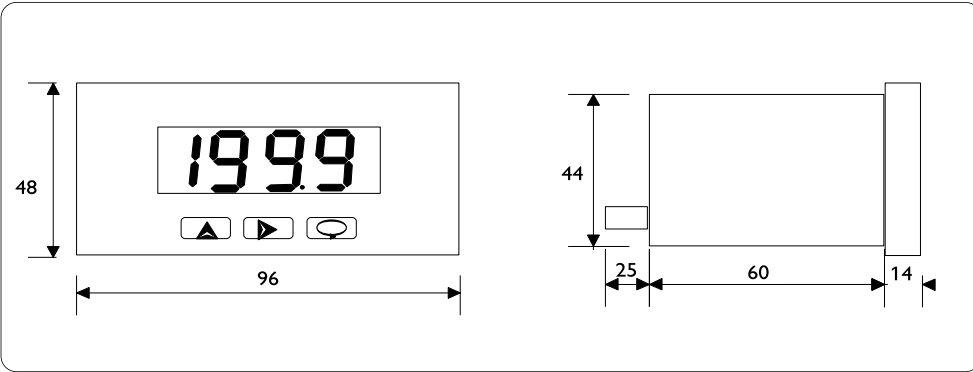


Standard

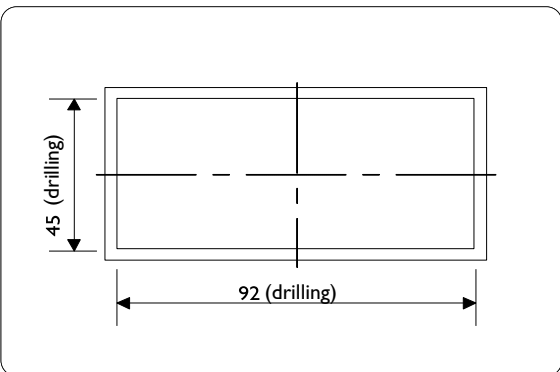
Low voltage directive 73/23/CEE

Isolation - dielectric strength IEC 61010-1

Dimensions (in mm)



Panel drilling specifications (in mm)



ENERGY METERS POWER MONITORS	1
NETWORK ANALYZERS	2
ANALOGUE PANEL METERS	3
DIGITAL PANEL METERS	4
TRANSDUCCERS	5
TRANSFORMERS SHUNTS	6
CONTROLLING AND RELAYS	7
APPENDIX	8

SELECTION GUIDE	114
INFO & ADVICE	116
◀◀ RANGE INFO	118